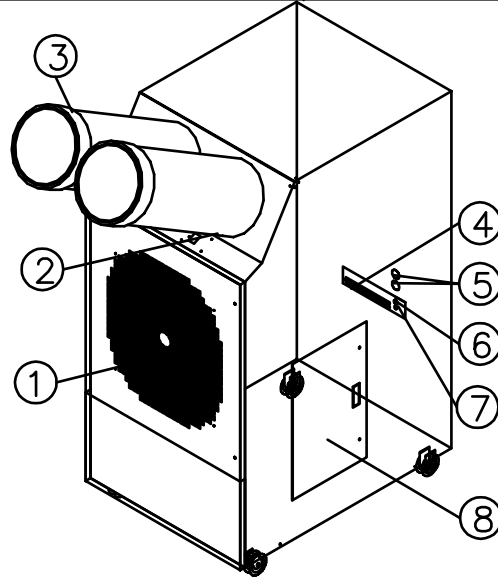


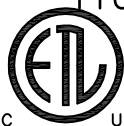
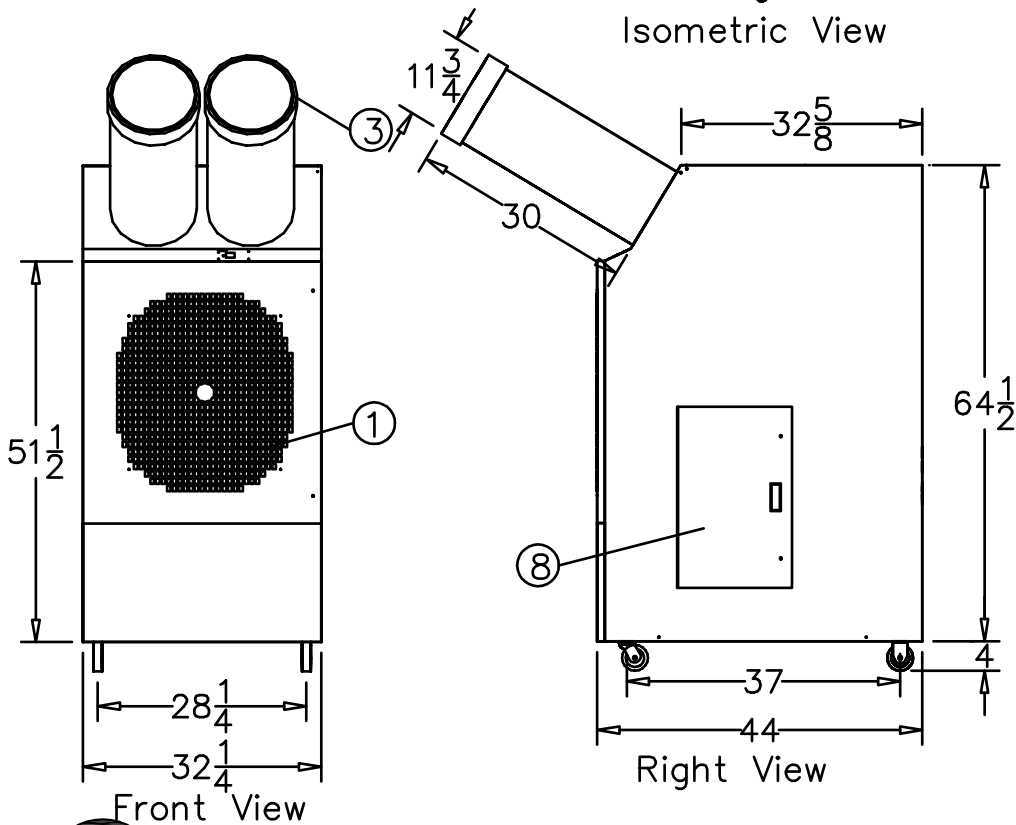
SWAC12043

Legend

- 1 Return Air
- 2 Control Pad
- 3 Cold Air Supply
- 4 Power Cord
- 5 1/2" Female water Hose Connector (Inlet/Outlet)
- 6 Condensate Nipple
- 7 Condensate Alarm Jack
- 8 Access Door



Isometric View



ETL LISTED CONFORMS TO ANSI/UL
1995 CERTIFIED TO CAN/CSAA22.2 NO.235



PENN RADIANT PRODUCTS

1-800-438-2503

SPECIFICATIONS

Model SWAC12043 - 10 Ton

COOLING CAPACITY		
BTU/hr @ 95 F at 60%RH		120,000 (10 TONS)
COMPRESSOR DATA		
Compressor Type		HERMETIC RECIP./2 STAGE
Operating Temperatures		60-110 F .50%RH
Refrigerant		R-22
FAN DATA		
EVAPORATOR		
Fan Type (Centrifugal)		Belt Drive
Air Flow (CFM)		1800/3800
Supply Air Chute Data		2-12"Dia.x30"Length
Supply Air Chute Max. Length		65'
Motor HP		3
WATER FLOW DATA		
Flow Regulation Valve		AUTOMATIC
Inlet Water 85F-95F Exit(GPM)		30
Inlet Water 75F-95F Exit(GPM)		15
Inlet Water 65F-95F Exit(GPM)		10
Inlet Water 55F-95F Exit(GPM)		7.5
ELECTRICAL DATA		
Power Supply (Volts)		460-3 Phase
Current Consumption (Amps)		23 1/9
Power Consumption (KW)		16 1/3
Maximum Circuit Breaker (Amps)		30
Minimum Circuit Ampacity (Amps)		69 5/7
Min/Max Voltage		420-500
Power Cord Gauge/Length		10AWG/10
Plug Configuration		FIELD SUPPLIED
DIMENSIONAL DATA		
Unitary Models	Width x Depth x Height (Inches)	32.25X44X68.5
	Weight (Lbs.)	750
	Shipping Weight (Lbs.)	825
SAFETY DEVICE DATA		
Compressor Overload		INTERNAL
Fan Motor Overload		AUTOMATIC INTERNAL
Evaporator Freeze-up		HOT GAS BYPASS
High Pressure Switch		MANUAL
Low Pressure Switch		AUTOMATIC
Compressor Short Cycle		YES
Automatic Restart		YES
Thermostat		MICROPROCESSOR/ DIGITAL
Condensate Pump w 20' Head Pres.	YES	
Condensate Pump Overflow	YES	
Condensate Tank Overflow	YES	

