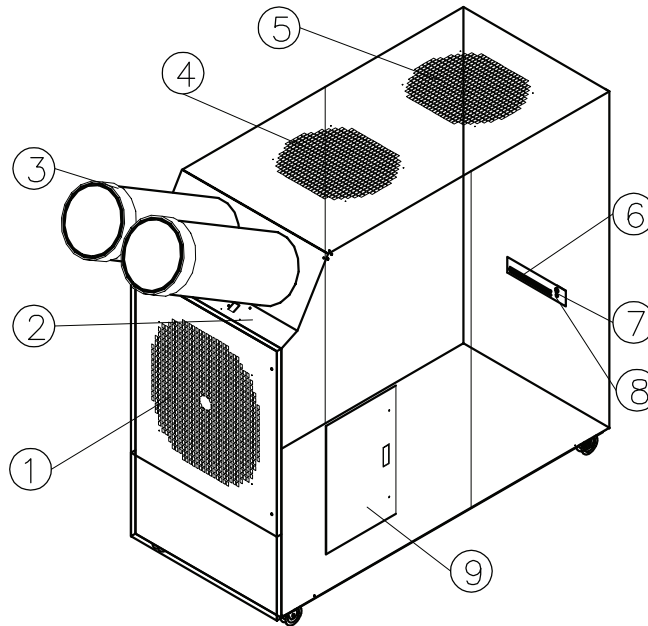


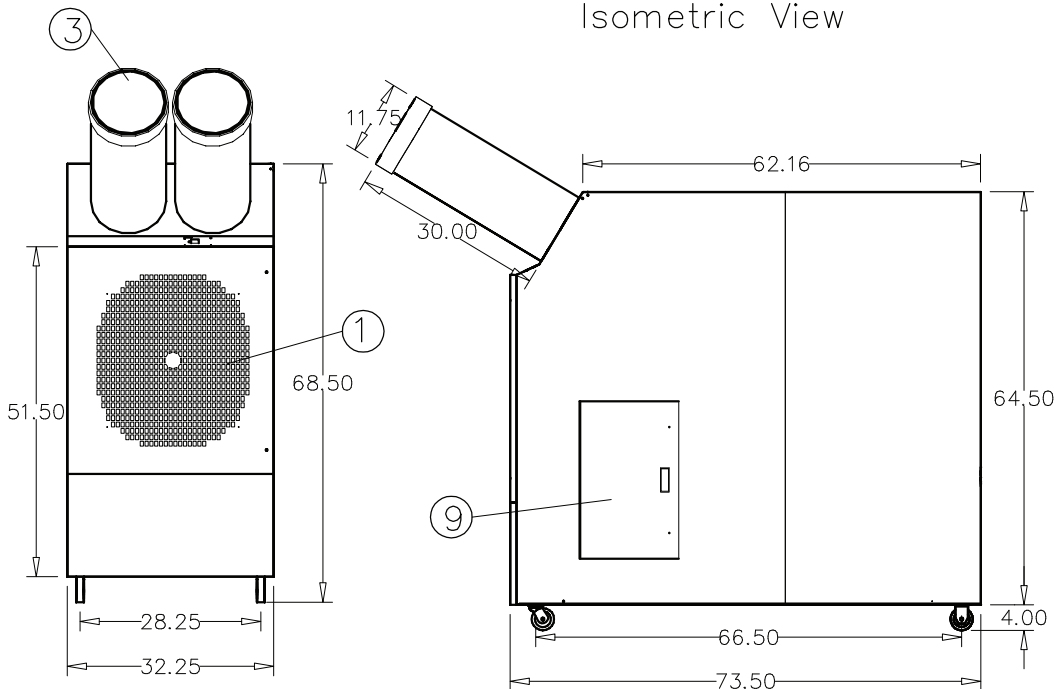
SAC12043

Legend

- 1 Return Air
- 2 Control Pad
- 3 Cold Air Supply
- 4 Condenser Air Inlet
- 5 Condenser Air Outlet
- 6 Power Cord
- 7 Condensate Nipple
- 8 Condensate Alarm Jack
- 9 Access Door



Isometric View



Front View

Right View





PENN RADIANT PRODUCTS

SPECIFICATIONS

Model SAC12043 - 10 Ton

1-800-438-2503

COOLING CAPACITY		
BTU/hr @ 95 F at 60%RH		120000
COMPRESSOR DATA		
Compressor Type		Hermetic Rotary
Operating Temperatures		60-110F. 50% RH
R-22 Refrigerant Charge (Lbs.)		R-22
FAN DATA		
EVAPORATOR		
Fan Type (Centrifigul)		Belt Drive
Air Flow (CFM)		1800/3800
Supply Air Chute Data		2-12"Dia.x30"Length
Supply Air Chute Max. Length		65'
Motor HP		3
CONDENSER		
I/O Intergral Condenser - In/Out		BALANCED AIR FLOW
Fan Type (Centrifigul)		Belt Drive
Air Flow (CFM)		5000
Condenser Duct Data (Optional)		2-20"Dia.x8'Length
Condenser Duct Max. Length		85'
Motor HP		7 1/2
ELECTRICAL DATA		
Power Supply (Volts)		460 - 3 Phase
Current Consumption (Amps)		32.4
Power Consumption (KW)		15
Maximum Circuit Breaker (Amps)		40
Minimum Circuit Ampacity (Amps)		39.8
Min/Max Voltage		420-500
Power Cord Gauge/Length		8 AWG/10'
Plug Configruation		Field Supplied
DIMENSIONAL DATA		
Unitary Models	Width x Depth x Height (Inches)	32.25X73.5X68.5
	Weight (Lbs)	1075
	Shipping Weight (Lbs)	1200
	Ceiling Kit - CK-60 Weight	56
	Total Shipping Weight/w Ceiling Kit	1271
SAFETY DEVICE DATA		
Compressor Overload		INTERNAL
Fan Motor Overload		AUTOMATIC INTERNAL
Evaporator Freeze-up		HOT GAS BYPASS
High Pressure Switch		MANUAL
Low Pressure Switch		AUTOMATIC
Compressor Short Cycle		YES
Automatic Restart		YES
Thermostat		MICROPROCESSOR/ DIGITAL
Condensate Pump w 20' Head Pres.		YES
Condensate Pump Overflow		YES
Condensate Tank Overflow		YES

